

(19)The Korean Intellectual Property Office (KR)
Unexamined Patent Application (A)

(51) Int.Cl. 6
F24J 3/02

Application No	KR1984-0007365.
Application Date	1984-11-23
Publication No	KR1985-0003977.
Publication Date	1985-06-29
Priority Claims	58-221471
Priority Claims	58-221472
Priority Claims	58-241448
Priority Claims	59-29051
Agent	Jung-Hun Shin
Inventor	YoNaHaRa YoSiHiRo
Applicant	YoNaHaRa YoSiHiRo
Examination	Requested
Title of Invention	***.



Abstract

Content none.



Representative Drawing(s)

Fig. 1



Description

[Title of invention]

***.

[The simple description of the drawing]

Figure 1 is a perspective view indicating the basic embodiment of the invention.

Figure the second is the copper transverse cross section.

Figure 3 is a perspective view indicating the embodiment being different.

* The description of reference numerals of the main elements in drawings.

2: bag-shaped 3: support frame.

4: the support ream (支持縁) 8: flexible sheet.

9: transparent film 29: air layer.

b: extended portion.

This content did not print the technical content this content since being the main part disclosure gun.



Scope of Claims

Claim 1 :

*** wherein the plastic seat (30) is polymerized in the upper side of the bag-shaped (2); the air layer (29) is formed between the upper side of the bag-shaped (2) and plastic seat (30); and the air drain (5) is set up in outside within the bag-shaped (2).

Claim 2 :

*** wherein the plastic seat (30) is polymerized by the numerous sheet in the upper side of the bag-shaped (2); a plurality of air layers (29) is formed between the upper side of the bag-shaped (2) and plastic seat (30); and the air drain (5) is set up in outside within the bag-shaped (2).

※ list of reference: it discloses with the initial application contents.



Drawings

Fig. 1

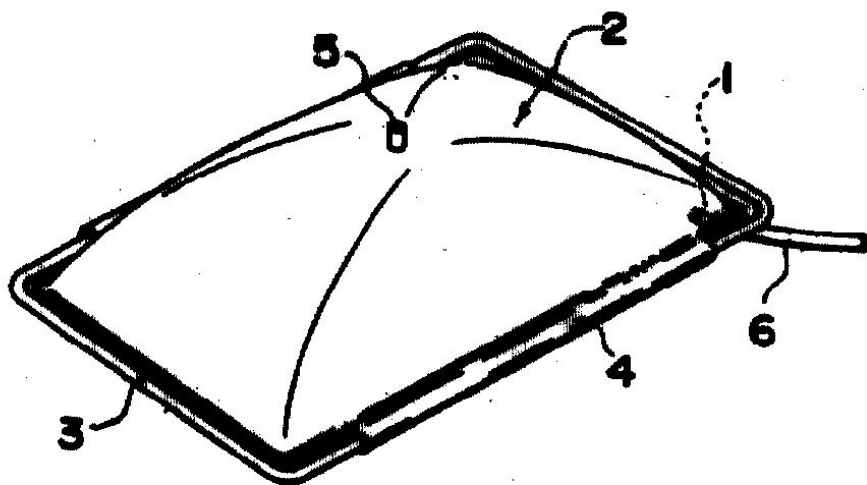


Fig. 2

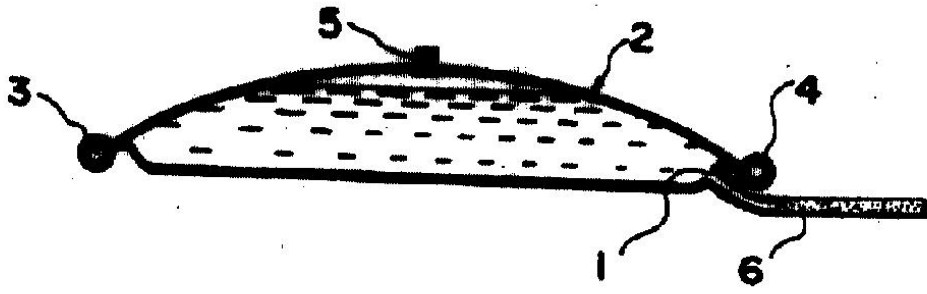


Fig. 3

